



COMMERCIAL
HOLIDAY DECOR



Installation Guide
Pole Mount Displays



Classic Candy Cane
SKU #6225-0724



Pole Mount Displays

Commercial pole mounted displays have been a staple in the world of municipal holiday decorating since the late 1950's. Today, pole mounted decorations remain a popular choice among municipalities and businesses and are readily available in a variety of festive shapes and sizes.

Note: These steps are guidelines only. It is the responsibility of the installer to contrive an installation which is safe, and complies with all local codes.

COMPONENTS



Banding Strap / Screw Bands



Faceplate / Pole Plate



Display Backbone

Standard & Mini Backbone

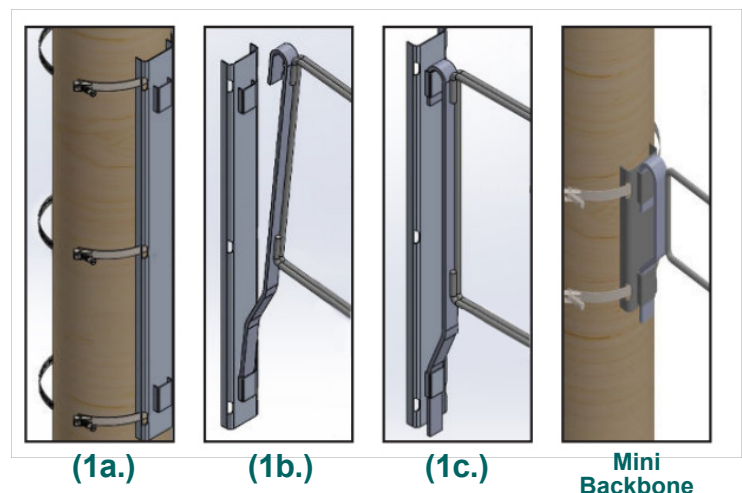
Installation Instructions

Mount the faceplate to the utility pole using the supplied stainless steel banding straps. Tighten the banding straps until secure. (1a.)

Insert the bottom tang of backbone first, (1b.) then align top hook and drop the decoration into place. (1c.)

Finally, connect the power lead and enjoy!

Note: Pole plates may be left in place year round or removed at the end of the season.



Direct Mount

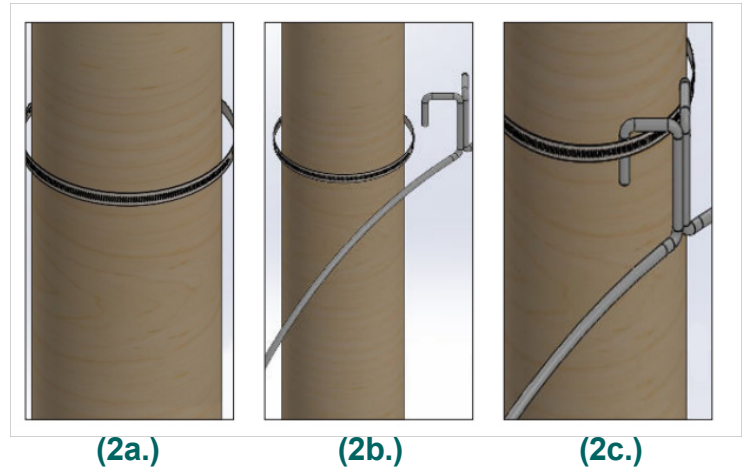
Installation Instructions

Loosely wrap the stainless steel banding strap around the pole. **Do not fully tighten.** (2a.)

Attach the direct mount bracket by hooking it onto the banding strap. (2b.)

Tighten the banding strap until secure. (2c.)

Finally, connect the power lead and enjoy!



Spade Mount

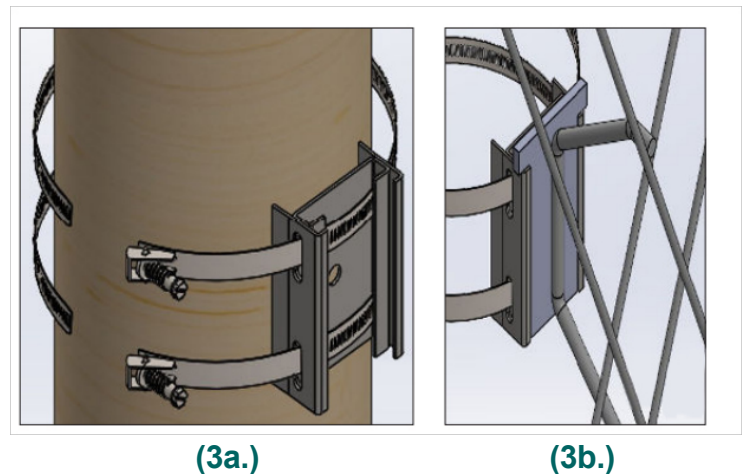
Installation Instructions

Secure the spade mount bracket to the utility pole using the supplied stainless steel banding straps. (3a.)

Insert the bottom tang of spade backbone first, then align vertically and drop into place. (3b.)

Finally, connect the power lead and enjoy!

Note: Pole plates may be left in place year round or removed at the end of the season.



Need help?

Contact your Commercial Holiday Decor sales representative or call +1 (810) 207-1047.

