



**COMMERCIAL
HOLIDAY DECOR**



Installation Guide
Pop-Up Trees



Pop-Up Branch Garland Tree
SKU #6229-0497



Popup Trees

Our Pop-Up trees — a versatile, easy-to-install decoration that is perfect for any space. Built with a sturdy base, durable metal pipes, and beautifully wrapped pre-lit pine garland; these trees are made with the economically focused display in mind.

Note: These steps are guidelines only. It is the responsibility of the installer to contrive an installation which is safe, and complies with all local codes.

COMPONENTS

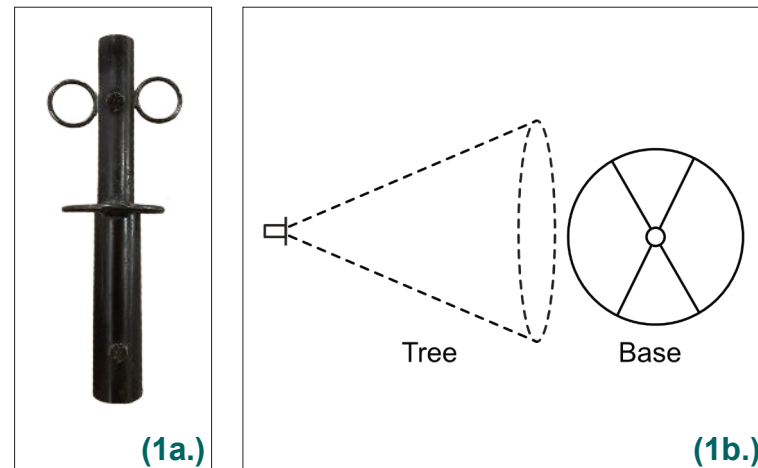


Step One

Set Up Layout & Check Connection(s)

Using the pipe-top fitting as a handle (1a.), carefully pull the tree's body - composed of garland, chains, and lighting - out of the carton. Lay it to the side so it forms a flat triangle, with the base positioned flat at the wider end. (1b.) Our trees are created with the base either attached or unattached, depending on the height of the tree.

If the base is already attached to the body of the tree, please skip ahead to step 3.

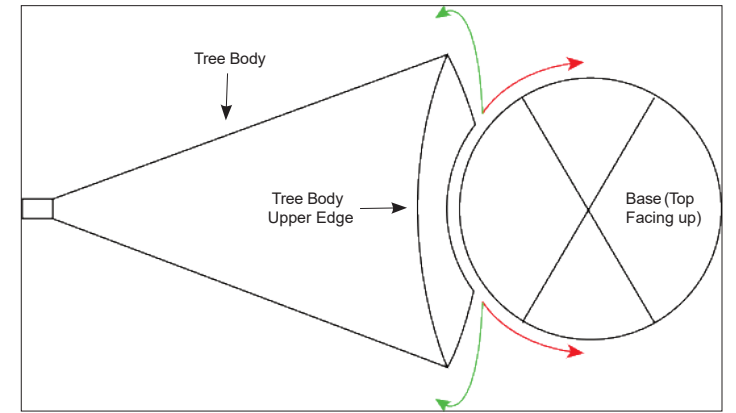


Step Two

If Tree and Base Are Not Connected

At the wide, open end of the tree's body, fold back the upper edge of the garland to reveal the lower lip.

Starting at the center, attach the snap hooks to the rim loops on the base, working from the lower edge (following the red and green arrows) to the upper edge and gradually pulling the tree body toward and over the base. Take care to avoid snagging on the base's center pipe socket while doing this.

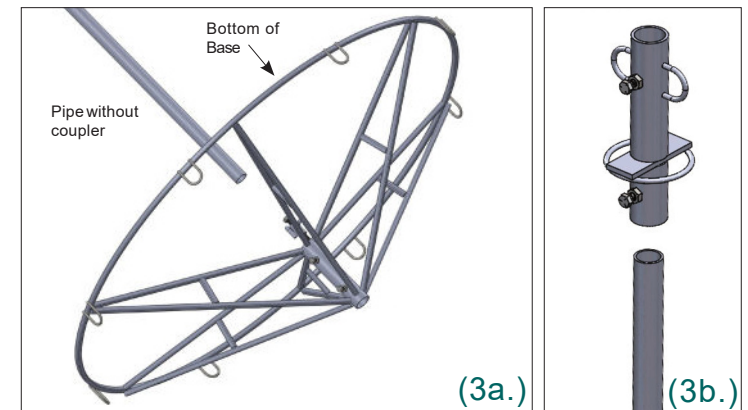


Step Three

Base Assembly Positioning and Single Pipe Install

With assistants positioned as needed, ensure the tree base is perpendicular to the ground, creating a horizontal cone shape with the tree body. (3a.) **If the tree includes a multi-section center pipe, proceed to step 4.**

For a single-pipe tree, insert the pipe through the base and into the tree top fitting. (3b.) Tighten the set screws on the coupler and the tree top fitting, then proceed to step 5.

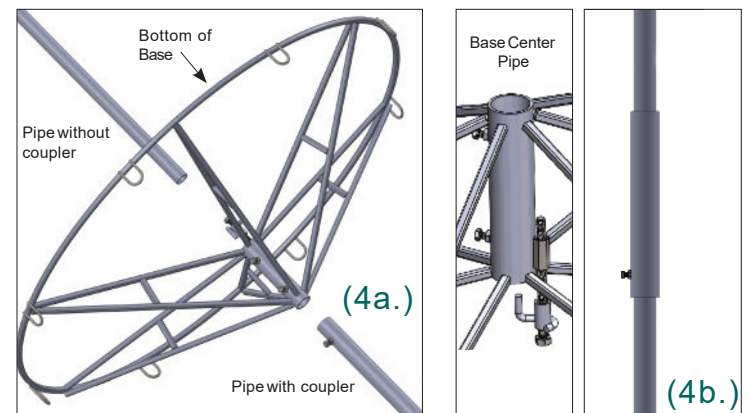


Step Four

Multi-Section Pipe Install

Take the pipe section without a coupler on one end and pass it through the base center pipe and into the pipe with coupler (4a.)

Insert the pipe through the base and into the tree cone. Tighten the set screws on the couple and the tree top fitting. (4b.)



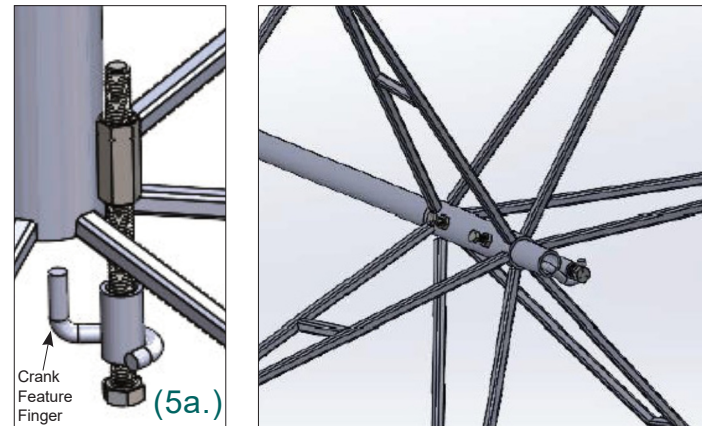
Step Five

Crank Feature and Tension

Insert the pipe until passed the finger of the provided crank feature. (5a.) Rotate the finger of the crank until it is under the exposed end of the pipe. Use the provided crank feature to apply pressure to the exposed end of the pipe and tension the chains.

Note: Do not over-tighten. Some sag is acceptable while the tree is on its side.

Tighten the set bolts to secure the pipe, then slightly release the crank to reduce tension.



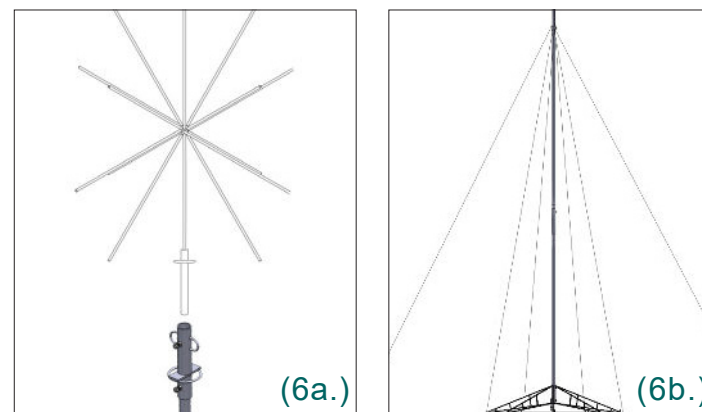
Step Six

Attach the Extras and Stand Up!

At this point, attach the optional tree topper. (6a.) Place in the socket at the top of the tree, and connect its power lead to the designated socket.

Install the optional guy wire kit, if desired. (6b.) If installing the tree outdoors, we highly recommend the use of a strong guy wire kit.

Finally, tilt the assembled tree upright onto its base, stake the guy cables (if applicable), and connect the power lead!



Step Seven

Enjoy!

Whether you're decorating a city, business, or your home, we hope your experience with Commercial Holiday Decor has been one to remember.

If you would like additional information about our company or products, visit our website at www.commercialdecorations.com or call your Commercial Holiday Decor sales representative.

Thank you!

Need help?

Contact your Commercial Holiday Decor sales representative or call +1 (810) 207-1047.