



**COMMERCIAL
HOLIDAY DECOR**



For illustrative purposes. Actual product may vary.



Installation Guide
Small Ground Displays
(Less Than 10 Feet Tall)



Toy Soldier Saluting (Animated)
SKU #6225-0459

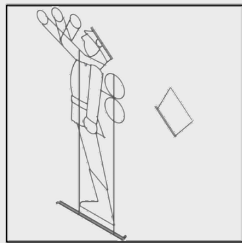


Small Ground Displays

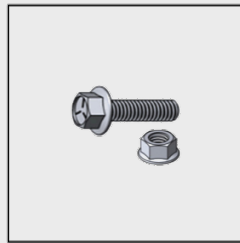
While they're often used in extravagant drive-through light shows, ground displays can be used in a variety of ways to complement a pre-existing display or to accent a featured piece such as a tower tree. Ground displays are available in multiple styles, sizes, shapes, and colors, making these a classic choice for holiday decorating.

Note: These steps are guidelines only. It is the responsibility of the installer to contrive an installation which is safe, and complies with all local codes.

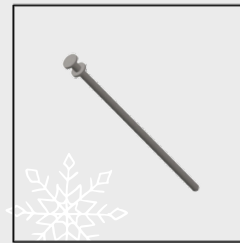
COMPONENTS



Decorated Display
Frame(s)



1" Bolt(s) and
Nut(s)



Ground Stakes
18" Low Profile
Stake for Feet / Junctions



Guy Wire Kit

**Depending on the specific design you purchased, your display may include some or all of the above components.*

Before You Begin

What You Need To Know

Before assembling, test each frame by plugging it into a power source. This is to ensure there was no electrical damage during shipping, storage, or transport. We also recommend using this opportunity to replace dimming, burnt, or broken bulbs.

Always check for underground wires, cables, pipelines, or other utilities before installing stakes. If you are uncertain about underground utility locations, call your state's Utility Notification Center.

Installation method varies on the final display location. Before proceeding with installation, determine where the display will be installed. The installation method used varies depending on the surface type:

Soft surfaces — with grass, soil, or loose gravel, we recommend the use of ground stakes.

Hard surfaces — such as pavement, concrete, or roofs require a different installation method. For installation on hard surfaces, please refer to the Hard-Surface specific installation section.

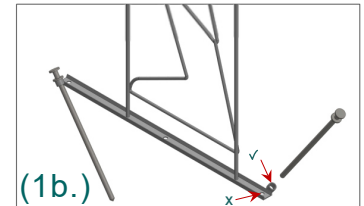
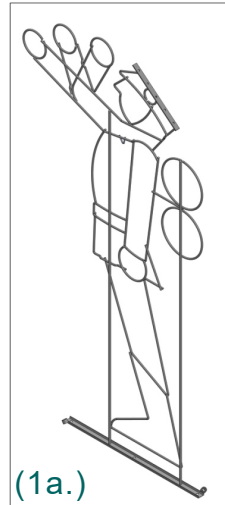
Soft Surface Installation

Display on Grass, Soil, or Gravel

First, position the display in its intended location and hold it upright (1a). Then drive two ground stakes into the ground to anchor the frame (1b).

If the frame includes an addendum section, align the bolt plates and fasten them together using the supplied hardware (1c).

If applicable, install the guy kit or kickstand for additional stability (see next page).



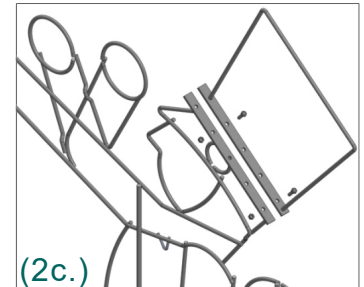
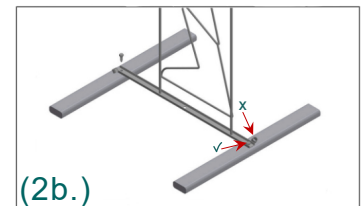
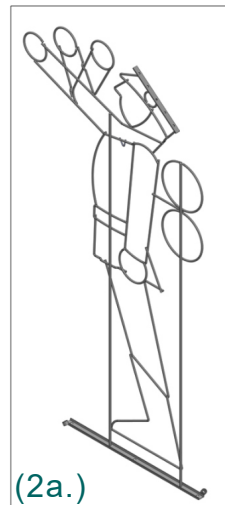
Hard Surface Installation

Display on Concrete, Floors, or Rooftops

Position the display in its intended location and hold it upright (2a). Instead of using ground stakes, secure the frame base plate(s) by screwing them into 2x4 boards or another suitable base (2b).

Add weights to the base as needed for stability. If the frame includes an addendum section, align the bolt plates and fasten them together using the supplied hardware (2c).

If applicable, install the guy kit or kickstand for additional stability (see next page).



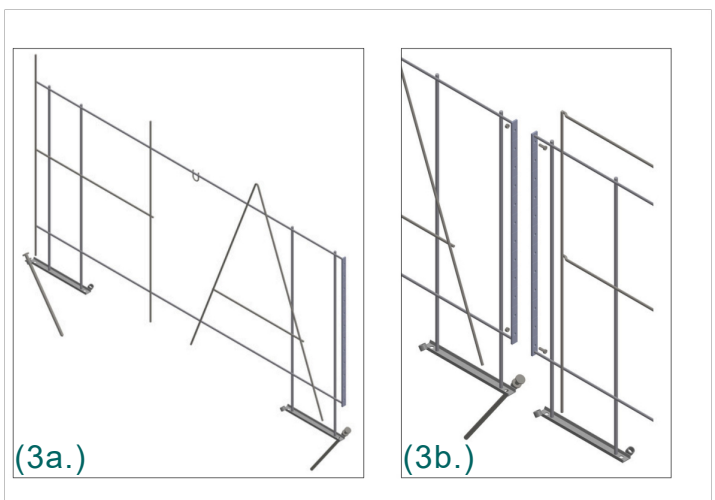
Multi-Frame Installation

If Your Display is Truly Larger than Life

Install and secure the first frame in the line as a standalone unit (see above instructions) (3a).

Position the next frame beside the secured one, aligning the vertical bolt plates. (3b).

Bolt the frames together using the supplied fasteners. The number of nuts and bolts required will vary depending on the specific decoration. Pre-drilled holes will be clearly visible for alignment and assembly.

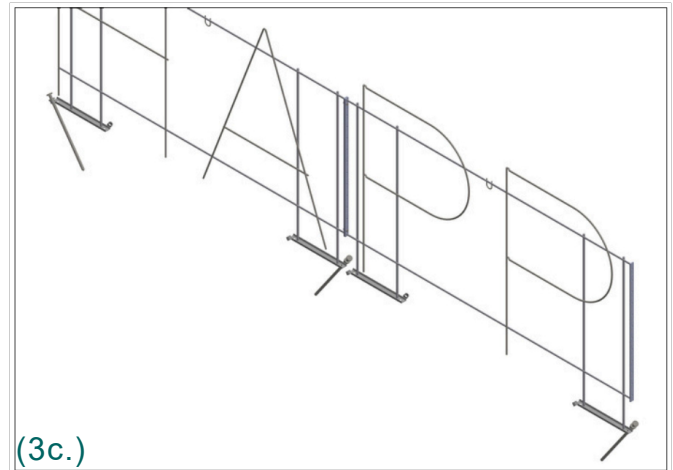


Multi-Frame Installation (cont.)

Anchor the outer base plate of the new frame with one ground stake at the end of the chain (3c).

If available, install a guy wire kit for extra stability.

Repeat this process for each frame until the entire chain is assembled and secured.



Guy Wire Kit Installation

So You Don't Watch Your Investment Fly Away

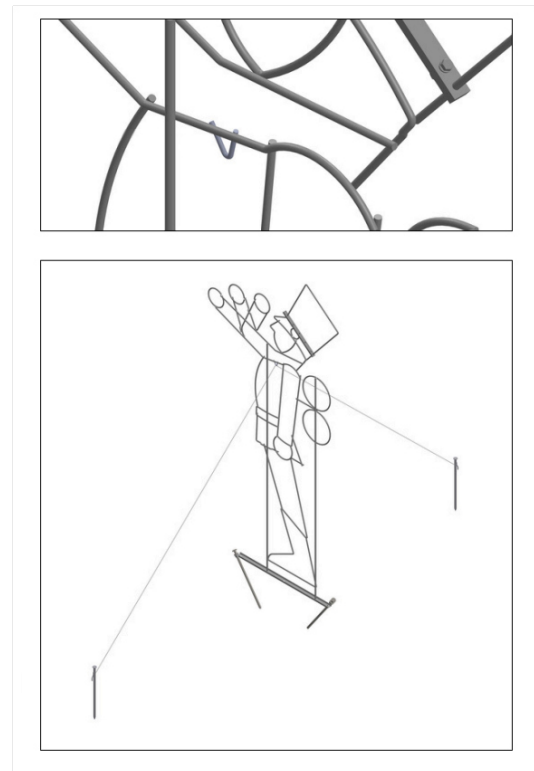
Place a ground stake on the front and back of the frame, and drive stakes into the ground. Position each stake approximately the same distance from the frame as the height of the guy anchor point above the ground. Then rotate the stakes so that their hooks face away from the display.

Drive the stakes straight down vertically — **do not angle them.**

To install the guy wire cable, thread the aircraft cable through the frame's cable loop, leaving two equal-length tails on either side. Then secure the cable to the frame using a wire rope clip.

Loop each cable tail around its corresponding ground stake, apply moderate tension, and secure with another wire rope clip (3b).

Be sure to tape off any excess cable to prevent fraying or injury.



Please note, guy wires must only be installed after the display has been lifted and secured with stakes. Each kit is designed to fit a specific frame height range and includes enough cable to create two tails. Most frames include a preinstalled loop to serve as the guy wire anchor point (3a). If your frame does not have a loop, choose a suitable anchor point located near the top of the frame.



Need help?

Contact your Commercial Holiday Decor sales representative or call +1 (810) 207-1047.